

Coder Light 'OPOS'

Coder Light OPOS is the ideal solution for advance ticket sale! SKIDATA's entry level model for new users of ticket printers. This compact, economically priced device imprints and encodes tickets in one go.

This coder can be placed anywhere

- Thanks to its compact design, this coder is easy to integrate and install. Coder Light OPOS also fits into your advance ticket office.
- The new power pack does not need a fan, therefore it is small and silent. Thanks to the long power cable, the power pack does not need to be placed near the coder.

One printer for all media

- All barcode and 13.56 MHz tickets of the current SKIDATA portfolio can be processed. In addition, there is a recessed antenna for the RFID data carriers KeyWristBand ISO and Swatch Snowpass 13 MHz.
- Thanks to the USB interface, the coder can be connected to most PCs.

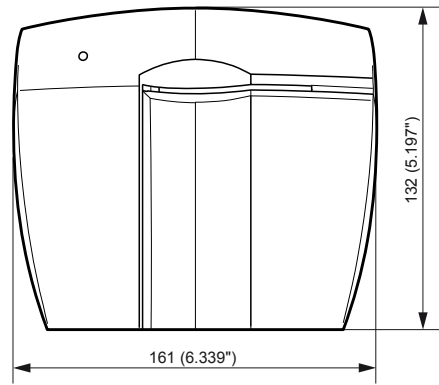
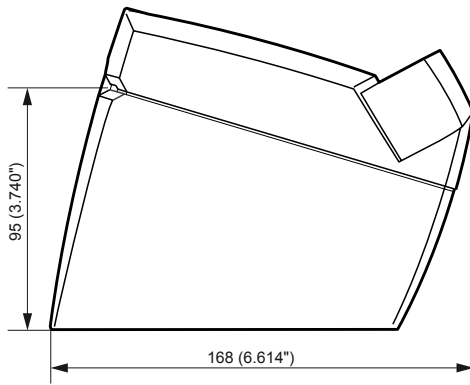
Enhance the appeal of your destination

- Because more tickets are sold in advance via Coder Light OPOS, waiting time at pay stations in the skiing area is reduced.
- With the option to buy tickets in advance, your customers get right to the slopes without delay and can fully enjoy their skiing pleasure.

Convenient and reliable

- Additional advantage for the production of RFID tickets: Before it is issued, the produced ticket is read for control purposes.
- Coder Light OPOS provides maximum reliability, because it contains hardly any moving parts. It can easily be cleaned and maintained by the operator.

all dimensions in mm



Properties

- Desktop unit with external power pack and USB connector
- Internal RFID antenna for tickets inserted at the front
- External RFID antenna with data carrier rest
- System-Barcode imprint for tickets inserted at the front
- Ticket imprint 48 mm x 48 mm / 1.89" x 1.89" with a resolution of 200 DPI
- Custom defined bitmaps can be printed
- RFID data carriers are imprinted, encoded and verified in one go
- Low noise emission in the office (57 dBA during the printing procedure)
- Requires little maintenance
- Easy cleaning by means of special cleaning card; no tools required

Technical Specifications

Dimensions	Printer: 161 mm x 132 mm x 168 mm / 6.34" x 5.2" x 6.61" (w x h x d) Power pack: 85 mm x 41 mm x 170 mm / 3.37" x 1.61" x 6.69" (w x h x d)
Weight	Printer: 1.55 kg (3.2 lbs); power pack: 0.9 kg (2 lbs)
Power supply	External desktop power pack 24 V DC with wide input range, silent (no fan)
Power consumption	max.180 W
Temperature range	10 °C to 35 °C (+50 °F to +95 °F), 25–80 % humidity (non condensing)
Enclosure color	Gray Aluminium (RAL 9007), SKIDATA Yellow (approximates Pantone 114U)
RFID Data carriers	keycard basic/unlimited/ca13/advanced/venue, keytix light, keywrist light
Barcode data carriers	TL360, TK Unlimited (Interleaved 2/5 crosswise, only imprint, no control reading)
Interfaces	USB 2.0 compatible
USB driver	XP(e)/W2000/SRV2003/Vista (x86 only), W7(e)/W2k8R2 (x86+x64)
Time for imprint	3.5 s
Time for RFID encoding and imprint	7 s
Volume of the printer during operation	max. 57 dBA during the production of tickets
Ticket feed	manual
Declarations / Certifications	CE, FCC, IC, C-Tick

*) Confirmation whether different data carriers and/or formats will function properly can be obtained only from the Sales Support Center.

*) Processing of 125 kHz SKIDATA data carriers will be supported ONLY with an optional RFID module downgrade until the end of 2016 at the latest.

*) NO additional new 13 MHz data carriers will be implemented into the existing 125kHz/13MHz RFID Module (End- of-Service).