



Coder Basic 'OPOS'

Are **reliable Ticket Coders** important to you?
SKIDATA has the **economically priced AND reliable Ticket Printer and Ticket Coder** for you.

Convenience for customers with the OPOS solution

- Tickets (RFID or barcoded) can be bought in the warmth of the hotel
- Waiting and freezing in front of sale stations of skiing areas becomes a thing of the past

Ticket coding without effort

- Service for customers at the flick of a wrist
- This is no more than a simple routine for your staff
- Quick, reliable and silent ticket coding
- Your staff can concentrate on their main tasks

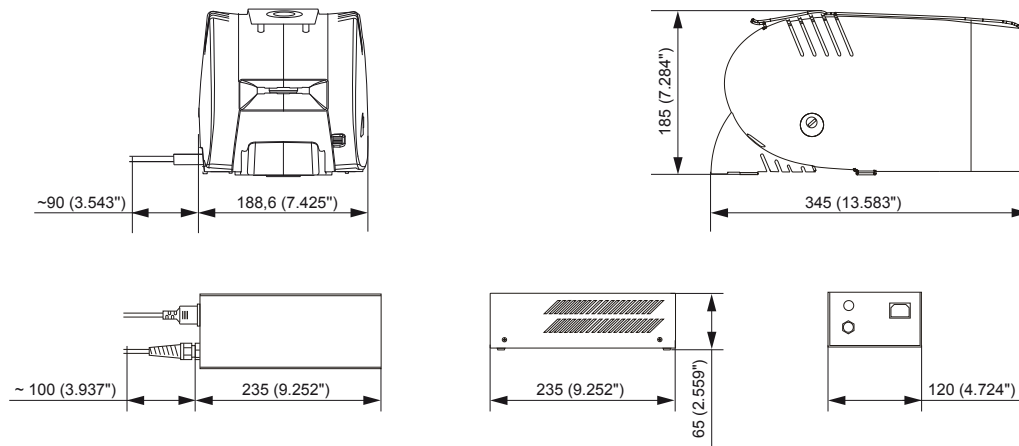
The clever way to save money

- The best choice for points of sale with a rather low customer frequency
- Having trouble with illegal ticket sales? Coder Basic 'OPOS' minimizes the risk of fraud
- Of course, the high quality and reliability SKIDATA is renowned for are still essential features

Proved Service & Module concept

- Experience gained all over the world guarantees the highest possible degree of quality
- A low-maintenance unit, still easy to maintain
- Long SKIDATA-Life-Cycle-Support
- Proved and tested modules in all SKIDATA segments
- The use of modules across different applications ensures you keep up with technical developments

all dimensions in mm



Properties

- Desktop unit with external power pack and USB connection
- Internal RFID antenna for tickets inserted at the front
- External RFID antenna with data carrier rest
- Barcode imprint for tickets inserted at the front
- High-quality ticket imprinting over the whole surface
- The imprint of ThermoReWrite keycards can be erased and keycards can be imprinted in blue at the same time
- Fraud prevention through the imprinting, coding and checking of tickets in one go; the (locking system) key can be removed
- Extremely low noise emission in the office
- Very easy maintenance, due to freely accessible ticket transport channel
- Can be cleaned manually and without tools

Standard Version

Base unit, in three-part design

- Chassis with Quick-Lock holder for main module
- Main module "Coder Basic / Base Unit" with 300-dpi thermal print head and RFID module
- Cover with lock, ticket intake and RFID rest

Options

- Cable for cashbox control
- Locking system cylinder and key
- Cleaning kit for Coder Unlimited & Coder Basic

Technical Specifications

Dimensions	Desktop unit: 190 mm x 190 mm x 345 mm / 7.48" x 7.48" x 13.58" (w x h x d) Power pack: 120 mm x 65 mm x 235 mm / 4.72" x 2.56" x 9.25" (w x h x d)
Weight	Desktop unit 4,70 kg (10.4 lbs) / power pack 1 kg (2.2 lbs)
Power supply	85–132 V AC or 170–265 V AC / 47 - 63 Hz to 24 V DC
External power pack	
Power consumption	max. 156 W at 24 V DC
Temperature range	0 °C to +40 °C (+32 °F to +104 °F) / max. 90 % r.H. (non-condensing)
Enclosure color	Silver-gray anthracite bright (~ RAL 9006), Anthracite dark (~ RAL 7043) Data carrier rest: SKIDATA Yellow (approximates Pantone 114U)
RFID Data carriers *)	keycard basic/unlimited/ca13/advanced/venue, keytix light, keywrist light (data carrier: 13MHz only, ISO-15693)
Barcode data carriers	TL360 (Interleaved 2/5 crosswise, only imprint, no control reading)
Interfaces	USB 2.0 compatible / Cashbox (1 input / 1 output)
USB driver	XP(e)/W2000/SRV2003/Vista (x86 only), W7(e)/W2k8R2 (x86+x64)
Declarations / Certifications	CE, _c UL _{us} , GOST-R, FCC, IC, KCC, Japan Certification (MIC)

*) Confirmation whether different data carriers and/or formats will function properly can be obtained only from the Sales Support Center.

*) Processing of 125 kHz SKIDATA data carriers will be supported ONLY with an optional RFID module downgrade until the end of 2016 at the latest.

*) NO additional new 13 MHz data carriers will be implemented into the existing 125kHz/13MHz RFID Module (End- of-Service).