



## Freemotion.Gate 'Basic'

Freemotion.Gate 'Basic', SKIDATA's reader for mountain resorts, plays all the tunes.

Innovation and functionality boost its performance and provide a maximum of convenience, safety and prevention of ticket abuse. "Unlimited pleasure on the slopes" is the new philosophy in access management!

### Put a stop to the ticket fraudsters' game

- Do you know how much money you are losing each day due to ticket abuse? Shouldn't this vexed question long be a thing of the past? Freemotion makes it one. The photo comparison function and the height sensor make sure that tickets cannot be passed on to others and adults cannot use a ticket for children. Why do without this?

### Ticket check in Record Time

- Swing on the slopes – and back up in a swing Freemotion.Gate 'Basic' lives up to its name: its extremely high reading capacity substantially increases the throughput.

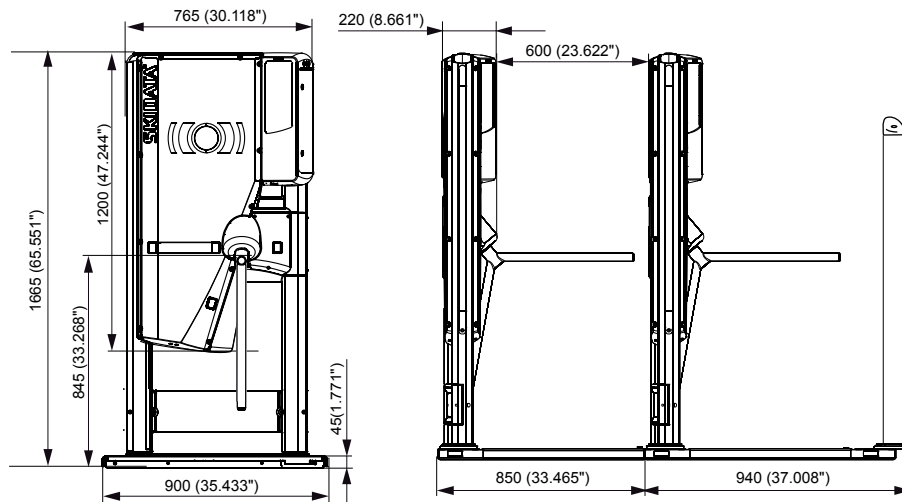
### Save money

- You can always rely on Freemotion.Gate 'Basic'. Simple and rugged – many claim it, SKIDATA proves it. Profit from the modular design to reduce maintenance work – your staff have more important things to do.
- Low-maintenance design  
Standard maintenance tasks can be carried out quickly and easily; no external support required.

### Cutting-edge technology and design

- The experts have voted:  
The design and functions of Freemotion have won it the first prize in the Salzburg Innovation Award.

all dimensions in mm



## Properties

- Reliable detection of contactless data carriers based on SKIDATA approved ISO-15693 tickets
- Additional scanner module for barcode-based data carriers
- Low-reaching antenna surface ensures reliable detection of contactless data carriers worn by children.
- Suitable for indoor and outdoor use
- Standard Ethernet network connection
- By default, the turnstile mechanism is stopped by a motor brake; an electromechanical brake is available as an option
- Antenna housing can be utilized for advertising purposes

## Options

- Power supply in table version
- Turnstile with one arm
- Turnstile with two arms
- Height sensor that detects adults and children
- Camera for photo registration during the passage
- Barcode module, 2 layers
- Convenient height adjustment
- Right-hand railing
- Cover plate for support stand, for indoor use
- Handhold at the front of the reader
- Electromechanical turnstile brake
- Polyphonic sound module
- Protective cover

## Standard Version

- Base unit incl. hands-free antennas
- Power supply for cabinet installation
- Floor stand for base unit
- Support stand Standard
- RFID module (13 MHz long-range)
- Full-Color QVGA TFT Graphical Display
- Three-colored operator signal light provides ticket and status information
- Turnstile with three bars
- Right-hand railing (one required for each group of readers)

## Technical Specifications

<b>Dimensions</b>	765 mm x 1665 mm x 220 mm / 30.12" x 65.16" x 8.66" (w x h x d)
<b>Weight</b>	approx. 75 kg (165.3 lbs)
<b>Power supply</b>	24 V DC $\pm$ 10 %
<b>Power consumption</b>	max. 240 W
<b>Temperature range</b>	Operation: $-40^{\circ}\text{C}$ to $+40^{\circ}\text{C}$ ( $-40^{\circ}\text{F}$ to $+104^{\circ}\text{F}$ ), Storage: $-40^{\circ}\text{C}$ to $+70^{\circ}\text{C}$ ( $-40^{\circ}\text{F}$ to $+158^{\circ}\text{F}$ )
<b>Enclosure color</b>	RAL 9007
<b>Data carriers</b>	keycard basic/unlimited/ca13/advanced/venue, keytix light, keywrist light/unlimited Optional: TL360 Data carriers comply with ISO-14443 A/B and ISO-18092 standards; NFC support available on request
<b>Throughput</b>	approx. 700 persons per hour (applies to actual use; theoretical reading rate is considerably higher)
<b>Display</b>	Full-Color QVGA TFT Graphical Display
<b>Signal generator</b>	Acoustic: Signal sounds, polyphonic sound module available as an option Optical: User signal light and separate operator signal light
<b>Declarations / Certifications</b>	CE, FCC, IC, GOST-R, Japan Cert., C-Tick
<b>Degree of protection based on IEC 60529</b>	IPX4