



Picture may vary from actual product

EasyBoarding.Gate



Boarding for stars.

Give your guests a safe and stress-free entry into the gondola by an intuitive allocation of passengers into groups before accessing. EasyBoarding.Gate reduces emergency stops and allows the gondola to be operated at the optimum speed and capacity.

Stress-free entry

Thanks to the self-explanatory control system with traffic lights and status displays, the number of passengers that can enter the respective entry portal is matched to the capacity of the gondola. In this way, crowding in the boarding area is avoided, allowing for stress-free access. In addition, there is also a noticeable reduction of the noise level in the station.

Reduction of emergency stops

Controlled processes and the reduced congestion in the boarding area means that incidents and emergency stops can be avoided. Gondola operation can therefore be carried out with the highest efficiency.

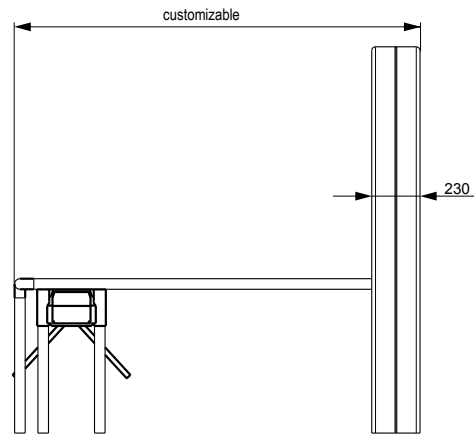
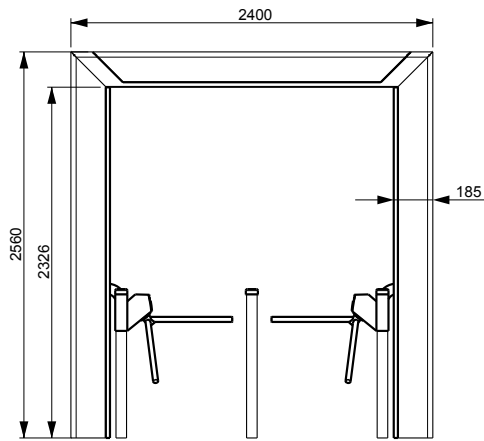
Increased satisfaction

The automatic allocation of passengers reduces the need for instruction giving by the lift personnel, who instead can focus on customer service. The result is a stressfree workday and satisfied customers.

Easy integration

In addition to its planning into new construction, the flexibility of the system also makes the integration into existing gondolas uncomplicated. EasyBoarding.Gate can be implemented fully independently or in combination with an access control system.

all dimensions in mm



Features

- One of a kind solution for optimizing the boarding process
- Sturdy construction for installation on all types of flooring systems around the station (i.e. raised floors and concrete slabs)
- Suitable for facilities of all types including mountain resorts, amusement parks and public transportation
- Intuitive signaling with lights which indicate if access is open or closed
- Automatic adjustments based on the speed and number of vehicles arriving

Standard Version

- Two access gates comprised of a structural steel frame and a powder coated aluminum shell with an integrated LED-strip and overhead monitor which displays remaining capacity
- Two turnstiles per gate for counting people
- Power adaptor for electronics, display, airconditioning and turnstiles
- One STOP-signal projector in access area for each gate

Options

- Touch-display for direct, on site, control
- Illuminated handrails in access area
- Customizable gate width from 2400 mm to 3000 mm
- Additional portals for integrating access lanes for closed user groups (e.g. ski schools, VIP's)
- Additional turnstiles in access area based on vehicle capacity
- Central control for operating multiple EasyBoarding.Gates and integration into the SKIDATA-access system (ticket check)
- Customizable entry area length based on vehicle capacity

Technical Specifications

Dimensions of standard gate	2400 mm × 2560 mm × 230 mm / 94.5" × 100,8" × 9" (w x h x d)
Operating voltage	24 V DC ±10 %
Power consumption	max. 1000 W
Installation location	Protected from heavy snowfall and wind
Operating temperature	-20 °C to +40 °C (-4 °F to +104 °F)
Storage temperature	-30 °C to +70 °C (-22 °F to +158 °F)
Declarations/Certifications	CE
Degree of protection of the turnstiles (based on IEC 60529)	IP44
System requirements	EasyBoarding.Logic V1.0 or higher