



Picture may vary from actual product

Easy.Gate

Cost-efficient access control in a stylish design. SKIDATA Easy.Gate scores with fast access, and cost-efficient installation and maintenance.

Systematic access control

- **Intuitive interaction**
Easy.Gate regulates access by way of easy-to-understand light and sound signals.
- **Security for little ones**
Antenna can scan tickets carried by children

A smart investment

- **Ideal solution for smaller ski resorts**
- **Perfect team player**
Installs easily on existing turnstiles
- **Smart advertisement carrier**
Antenna housing surfaces can be used for advertising

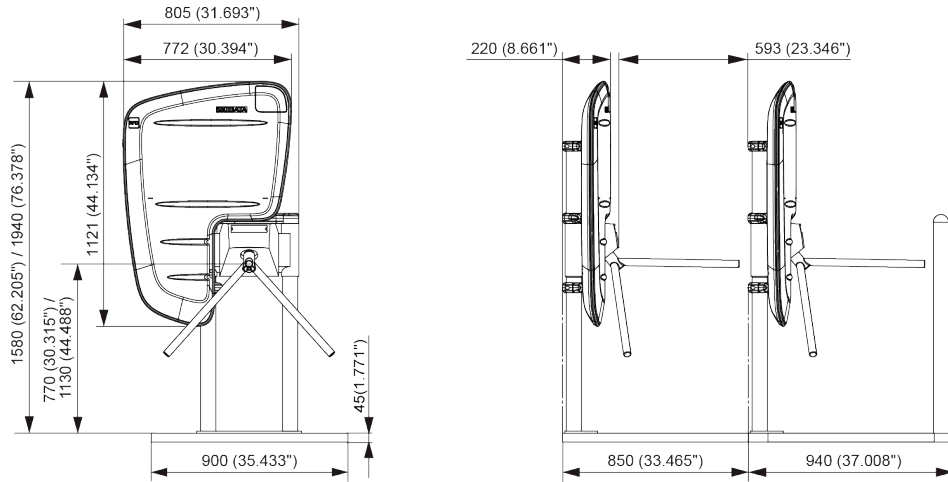
Suitable for any environment

- **Certified for outdoor use**
Reliable access control even under harsh conditions
- **Hands-free convenience**
Supports proven contactless data carrier technologies

Cost-efficient installation & maintenance

- **Quick setup**
Safe one-person installation
- **Virtually maintenance-free**
No intakes or moving parts for ticket transport

all dimensions in mm



Features

- Reliable detection of contactless data carriers in compliance with ISO15693 Tickets
- Low-reaching antenna surface ensures reliable detection of RFID tickets worn by children
- Suitable for indoor and outdoor use
- Standard Ethernet communication network connection
- Quality-assured production in accordance with ISO 9001 standards
- Electro-mechanical turnstile brake
- Front side of antenna enclosure suitable for advertising
- Electronics covered in turnstile housing
- Also fits on existing DKZ x70 - turnstiles
- Operating temperature: $-40\text{ }^{\circ}\text{C}$ to $+40\text{ }^{\circ}\text{C}$ ($-40\text{ }^{\circ}\text{F}$ to $+104\text{ }^{\circ}\text{F}$)
- Light-weight design; unit can be installed and height adjusted by a single person

Standard Version

- Base unit with left-hand side antenna
- Power supply unit for installation in device cabinets
- Turnstile Support stand and Electronic box
- Mounting pallet for on-floor installation
- Turnstile 3-armed
- Combined 2-color light (red/green) for users and staff / attendants and system operators
- Height-adjustable turnstile
- Acoustic signals via mono-frequency beeper
- Right-hand railing (one required per group of readers)

Options

- Turnstile 1-armed or 2-armed
- Weather protection cover
- Desktop power adapter

Technical Specifications

Dimensions antenna	772 mm x 1121 mm x 220 mm / 30.39" x 44.13" x 8.66" (W x H x D)
Weight of antenna	approx. 20 kg (44.1 lbs)
Power supply	24 V DC \pm 10 %
Power consumption	max. 100 W
Temperature range	Operation: $-40\text{ }^{\circ}\text{C}$ to $+40\text{ }^{\circ}\text{C}$ ($-40\text{ }^{\circ}\text{F}$ to $+104\text{ }^{\circ}\text{F}$) Storage: $-40\text{ }^{\circ}\text{C}$ to $+70\text{ }^{\circ}\text{C}$ ($-40\text{ }^{\circ}\text{F}$ to $+158\text{ }^{\circ}\text{F}$)
Housing color	RAL 9007/9006
Data carriers	keycard basic / unlimited /ca13 / advanced / venue, keytix light, keywrist light / unlimited
Throughput	approx. 650 persons per hour (practically achievable value)
Signal generator	Acoustic: Signal sounds (mono frequency) Visual: Combined traffic status signal for users and staff
System requirements	Freemotion.Logic Version 19.02
Declarations / Certifications	CE, C-Tick
Degree of protection	IPX4